

INTERNATIONAL STANDARD

NORME INTERNATIONALE

**Industrial communication networks – Profiles –
Part 5-6: Installation of fieldbuses – Installation profiles for CPF 6**

**Réseaux de communication industriels – Profils –
Partie 5-6: Installation des bus de terrain – Profils d'installation pour CPF 6**



THIS PUBLICATION IS COPYRIGHT PROTECTED
Copyright © 2013 IEC, Geneva, Switzerland

All rights reserved. Unless otherwise specified, no part of this publication may be reproduced or utilized in any form or by any means, electronic or mechanical, including photocopying and microfilm, without permission in writing from either IEC or IEC's member National Committee in the country of the requester.
If you have any questions about IEC copyright or have an enquiry about obtaining additional rights to this publication, please contact the address below or your local IEC member National Committee for further information.

Droits de reproduction réservés. Sauf indication contraire, aucune partie de cette publication ne peut être reproduite ni utilisée sous quelque forme que ce soit et par aucun procédé, électronique ou mécanique, y compris la photocopie et les microfilms, sans l'accord écrit de la CEI ou du Comité national de la CEI du pays du demandeur.
Si vous avez des questions sur le copyright de la CEI ou si vous désirez obtenir des droits supplémentaires sur cette publication, utilisez les coordonnées ci-après ou contactez le Comité national de la CEI de votre pays de résidence.

IEC Central Office
3, rue de Varembe
CH-1211 Geneva 20
Switzerland

Tel.: +41 22 919 02 11
Fax: +41 22 919 03 00
info@iec.ch
www.iec.ch

About the IEC

The International Electrotechnical Commission (IEC) is the leading global organization that prepares and publishes International Standards for all electrical, electronic and related technologies.

About IEC publications

The technical content of IEC publications is kept under constant review by the IEC. Please make sure that you have the latest edition, a corrigenda or an amendment might have been published.

Useful links:

IEC publications search - www.iec.ch/searchpub

The advanced search enables you to find IEC publications by a variety of criteria (reference number, text, technical committee,...).

It also gives information on projects, replaced and withdrawn publications.

IEC Just Published - webstore.iec.ch/justpublished

Stay up to date on all new IEC publications. Just Published details all new publications released. Available on-line and also once a month by email.

Electropedia - www.electropedia.org

The world's leading online dictionary of electronic and electrical terms containing more than 30 000 terms and definitions in English and French, with equivalent terms in additional languages. Also known as the International Electrotechnical Vocabulary (IEV) on-line.

Customer Service Centre - webstore.iec.ch/csc

If you wish to give us your feedback on this publication or need further assistance, please contact the Customer Service Centre: csc@iec.ch.

A propos de la CEI

La Commission Electrotechnique Internationale (CEI) est la première organisation mondiale qui élabore et publie des Normes internationales pour tout ce qui a trait à l'électricité, à l'électronique et aux technologies apparentées.

A propos des publications CEI

Le contenu technique des publications de la CEI est constamment revu. Veuillez vous assurer que vous possédez l'édition la plus récente. un corrigendum ou amendement peut avoir été publié.

Liens utiles:

Recherche de publications CEI - www.iec.ch/searchpub

La recherche avancée vous permet de trouver des publications CEI en utilisant différents critères (numéro de référence, texte, comité d'études,...).

Elle donne aussi des informations sur les projets et les publications remplacées ou retirées.

Just Published CEI - webstore.iec.ch/justpublished

Restez informé sur les nouvelles publications de la CEI. Just Published détaille les nouvelles publications parues. Disponible en ligne et aussi une fois par mois par email.

Electropedia - www.electropedia.org

Le premier dictionnaire en ligne au monde de termes électroniques et électriques. Il contient plus de 30 000 termes et définitions en anglais et en français, ainsi que les termes équivalents dans les langues additionnelles. Egalement appelé Vocabulaire Electrotechnique International (VEI) en ligne.

Service Clients - webstore.iec.ch/csc

Si vous désirez nous donner des commentaires sur cette publication ou si vous avez des questions contactez-nous: csc@iec.ch.

INTERNATIONAL STANDARD

NORME INTERNATIONALE



**Industrial communication networks – Profiles –
Part 5-6: Installation of fieldbuses – Installation profiles for CPF 6**

**Réseaux de communication industriels – Profils –
Partie 5-6: Installation des bus de terrain – Profils d'installation pour CPF 6**

INTERNATIONAL
ELECTROTECHNICAL
COMMISSION

COMMISSION
ELECTROTECHNIQUE
INTERNATIONALE

PRICE CODE **XA**
CODE PRIX

ICS 25.040.40; 35.100.40

ISBN 978-2-8322-1061-1

**Warning! Make sure that you obtained this publication from an authorized distributor.
Attention! Veuillez vous assurer que vous avez obtenu cette publication via un distributeur agréé.**

CONTENTS

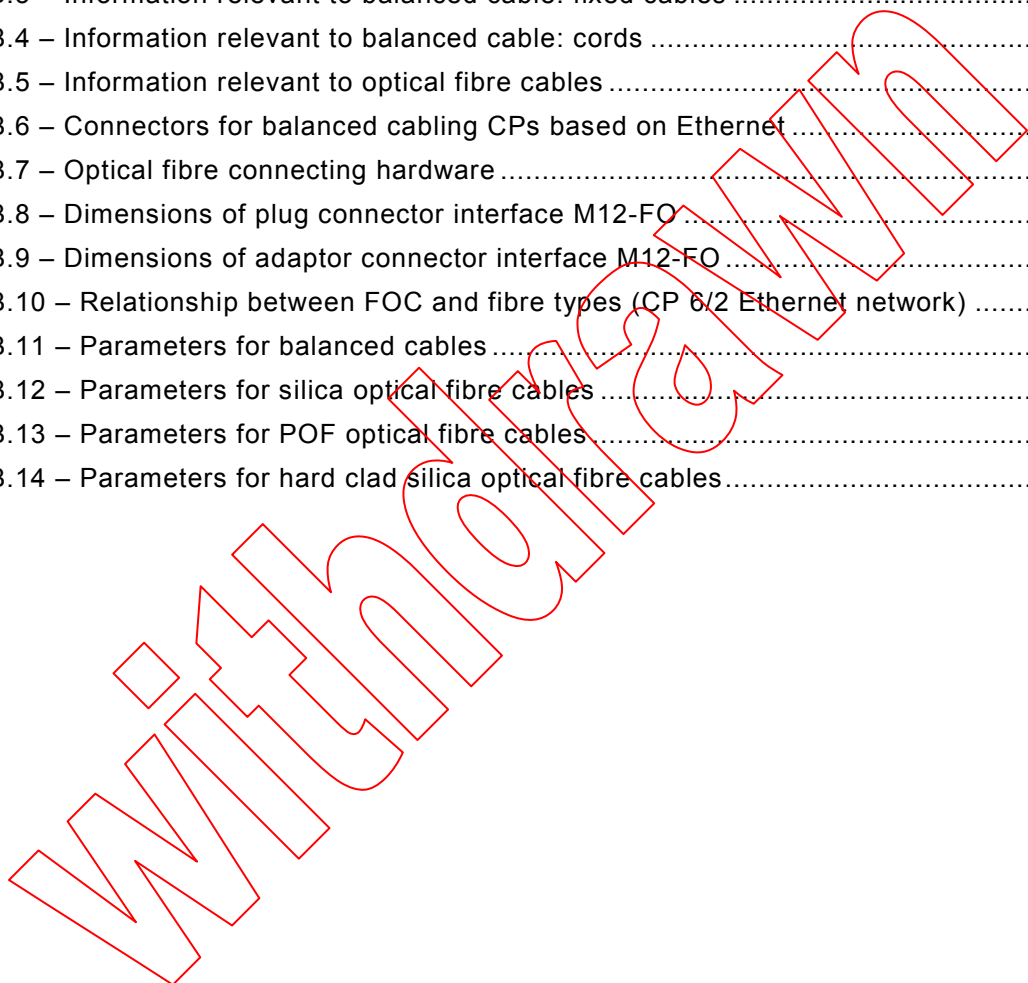
FOREWORD.....	7
INTRODUCTION.....	9
1 Scope.....	10
2 Normative references	10
3 Terms, definitions and abbreviated terms	10
4 CPF 6: Overview of installation profiles	10
5 Installation profile conventions	10
6 Conformance to installation profiles.....	11
Annex A (normative) CPF 6 Type 8 network specific installation profile.....	13
A.1 Installation profile scope.....	13
A.2 Normative references	13
A.3 Installation profile terms, definitions, and abbreviated terms.....	13
A.3.1 Terms and definitions	13
A.3.2 Abbreviated terms	14
A.3.3 Conventions for installation profiles.....	15
A.4 Installation planning	15
A.4.1 General	15
A.4.1.1 Objective.....	15
A.4.1.2 Cabling in industrial premises.....	15
A.4.1.3 The planning process	15
A.4.1.4 Specific requirements for CPs	15
A.4.1.5 Specific requirements for generic cabling in accordance with ISO/IEC 24702.....	15
A.4.2 Planning requirements.....	15
A.4.2.1 Safety.....	15
A.4.2.2 Security.....	15
A.4.2.3 Environmental considerations and EMC.....	15
A.4.2.4 Specific requirements for generic cabling in accordance with ISO/IEC 24702	16
A.4.3 Network capabilities	16
A.4.3.1 Network topology.....	16
A.4.3.2 Network characteristics	18
A.4.4 Selection and use of cabling components.....	20
A.4.4.1 Cable selection	20
A.4.4.2 Connecting hardware selection	24
A.4.4.3 Connections within a channel/permanent link.....	25
A.4.4.4 Terminators	26
A.4.4.5 Device location and connection.....	26
A.4.4.6 Coding and labelling	26
A.4.4.7 Earthing and bonding of equipment and devices and shielded cabling.....	27
A.4.4.8 Storage and transportation of cables.....	28
A.4.4.9 Routing of cables	28
A.4.4.10 Separation of circuit.....	28
A.4.4.11 Mechanical protection of cabling components	28

A.4.4.12	Installation in special areas	28
A.4.5	Cabling planning documentation	28
A.4.5.1	Common description	28
A.4.5.2	Cabling planning documentation for CPs	28
A.4.5.3	Network certification documentation	29
A.4.5.4	Cabling planning documentation for generic cabling in accordance with ISO/IEC 24702	29
A.4.6	Verification of cabling planning specification	29
A.5	Installation implementation	29
A.5.1	General requirements	29
A.5.1.1	Common description	29
A.5.1.2	Installation of CPs	29
A.5.1.3	Installation of generic cabling in industrial premises	29
A.5.2	Cable installation	29
A.5.2.1	General requirements for all cabling types	29
A.5.2.2	Installation and routing	31
A.5.2.3	Specific requirements for CPs	31
A.5.2.4	Specific requirements for wireless installation	31
A.5.2.5	Specific requirements for generic cabling in accordance with ISO/IEC 24702	31
A.5.3	Connector installation	31
A.5.3.1	Common description	31
A.5.3.2	Shielded connectors	31
A.5.3.3	Unshielded connectors	31
A.5.3.4	Specific requirements for CPs	31
A.5.3.5	Specific requirements for wireless installation	33
A.5.3.6	Specific requirements for generic cabling in accordance with ISO/IEC 24702	33
A.5.4	Terminator installation	33
A.5.5	Device installation	33
A.5.6	Coding and labelling	33
A.5.7	Earthing and bonding of equipment and devices and shield cabling	33
A.5.8	As-implemented cabling documentation	33
A.6	Installation verification and installation acceptance test	33
A.6.1	General	33
A.6.2	Installation verification	33
A.6.2.1	General	33
A.6.2.2	Verification according to cabling planning documentation	33
A.6.2.3	Verification of earthing and bonding	33
A.6.2.4	Verification of shield earthing	34
A.6.2.5	Verification of cabling system	34
A.6.2.6	Cable selection verification	34
A.6.2.7	Connector verification	34
A.6.2.8	Connection verification	34
A.6.2.9	Terminators verification	34
A.6.2.10	Coding and labelling verification	34
A.6.2.11	Verification report	34
A.6.3	Installation acceptance test	34
A.6.3.1	General	34

A.6.3.2	Acceptance test of Ethernet based cabling	34
A.6.3.3	Acceptance test of non-Ethernet-based cabling	34
A.6.3.4	Specific requirements for wireless installation	35
A.6.3.5	Acceptance test report	35
A.7	Installation administration	35
A.8	Installation maintenance and installation troubleshooting	35
Annex B (normative)	CPF 6 Ethernet network specific installation profile	36
B.1	Installation profile scope	36
B.2	Normative references	36
B.3	Installation profile terms, definitions, and abbreviated terms	36
B.3.1	Terms and definitions	36
B.3.2	Abbreviated terms	36
B.3.3	Conventions for installation profiles	36
B.4	Installation planning	37
B.4.1	General	37
B.4.1.1	Objective	37
B.4.1.2	Cabling in industrial premises	37
B.4.1.3	The planning process	37
B.4.1.4	Specific requirements for CPs	37
B.4.1.5	Specific requirements for generic cabling in accordance with ISO/IEC 24702	37
B.4.2	Planning requirements	37
B.4.2.1	Safety	37
B.4.2.2	Security	37
B.4.2.3	Environmental considerations and EMC	37
B.4.2.4	Specific requirements for generic cabling in accordance with ISO/IEC 24702	38
B.4.3	Network capabilities	38
B.4.3.1	Network topology	38
B.4.3.2	Network characteristics	38
B.4.4	Selection and use of cabling components	40
B.4.4.1	Cable selection	40
B.4.4.2	Connecting hardware selection	43
B.4.4.3	Connections within a channel/permanent link	47
B.4.4.4	Terminators	48
B.4.4.5	Device location and connection	48
B.4.4.6	Coding and labelling	48
B.4.4.7	Earthing and bonding of equipment and devices and shielded cabling	48
B.4.4.8	Storage and transportation of cables	48
B.4.4.9	Routing of cables	48
B.4.4.10	Separation of circuit	48
B.4.4.11	Mechanical protection of cabling components	48
B.4.4.12	Installation in special areas	48
B.4.5	Cabling planning documentation	48
B.4.6	Verification of cabling planning specification	48
B.5	Installation implementation	48
B.5.1	General requirements	48

B.5.2 Cable installation.....	49
B.5.2.1 General requirements for all cabling types.....	49
B.5.2.2 Installation and routing.....	50
B.5.2.3 Specific requirements for CPs.....	50
B.5.2.4 Specific requirements for wireless installation.....	50
B.5.2.5 Specific requirements for generic cabling in accordance with ISO/IEC 24702.....	50
B.5.3 Connector installation.....	50
B.5.3.1 Common description.....	50
B.5.3.2 Shielded connectors.....	50
B.5.3.3 Unshielded connectors.....	50
B.5.3.4 Specific requirements for CPs.....	50
B.5.3.5 Specific requirements for wireless installation.....	51
B.5.3.6 Specific requirements for generic cabling in accordance with ISO/IEC 24702.....	51
B.5.4 Terminator installation.....	51
B.5.5 Device installation.....	51
B.5.6 Coding and labelling.....	51
B.5.7 Earthing and bonding of equipment and devices and shield cabling.....	51
B.5.8 As-implemented cabling documentation.....	51
B.6 Installation verification and installation acceptance test.....	51
B.6.1 General.....	51
B.6.2 Installation verification.....	51
B.6.3 Installation acceptance test.....	51
B.7 Installation administration.....	51
B.8 Installation maintenance and installation troubleshooting.....	51
Bibliography.....	52
Figure 1 – Standards relationships.....	9
Figure A.1 – Type 8 network structure example.....	17
Figure A.2 – Example of a Type 8 network configuration.....	18
Figure A.3 – Sub-D connector pin assignment.....	32
Figure A.4 – M23 circular connector pin assignment.....	32
Figure A.5 – M12 circular connector pin assignment.....	32
Figure A.6 – Terminal connector at the device.....	33
Figure B.1 – Plug connector interface M12-FO.....	45
Figure B.2 – Adaptor connector interface M12-FO.....	46
Figure B.3 – Terminal connector at the device.....	50
Table A.1 – Basic network characteristics for balanced cabling not based on Ethernet.....	19
Table A.2 – Network characteristics for optical fibre cabling.....	20
Table A.3 – Information relevant to balanced cable: fixed cables.....	21
Table A.4 – Information relevant to balanced cable: cords.....	22
Table A.5 – Remote bus fibre optic cable length.....	24
Table A.6 – Connectors for copper cabling CPs not based on Ethernet.....	24
Table A.7 – Optical fibre connecting hardware.....	25
Table A.8 – Relationship between FOC and fibre types (Type 8 networks).....	25

Table A.9 – Colour code for balanced cables used by Type 8 networks	27
Table A.10 – Parameters for balanced cables	29
Table A.11 – Parameters for silica optical fibre cables	30
Table A.12 – Parameters for POF optical fibre cables	30
Table A.13 – Parameters for hard clad silica optical fibre cables	30
Table A.14 – Pin assignment of the terminal connector	33
Table B.1 – Network characteristics for balanced cabling based on Ethernet	39
Table B.2 – Network characteristics for optical fibre cabling	39
Table B.3 – Information relevant to balanced cable: fixed cables	41
Table B.4 – Information relevant to balanced cable: cords	42
Table B.5 – Information relevant to optical fibre cables	43
Table B.6 – Connectors for balanced cabling CPs based on Ethernet	44
Table B.7 – Optical fibre connecting hardware	44
Table B.8 – Dimensions of plug connector interface M12-FO	45
Table B.9 – Dimensions of adaptor connector interface M12-FO	46
Table B.10 – Relationship between FOC and fibre types (CP 6/2 Ethernet network)	47
Table B.11 – Parameters for balanced cables	49
Table B.12 – Parameters for silica optical fibre cables	49
Table B.13 – Parameters for POF optical fibre cables	49
Table B.14 – Parameters for hard clad silica optical fibre cables	50



INTERNATIONAL ELECTROTECHNICAL COMMISSION

**INDUSTRIAL COMMUNICATION NETWORKS –
PROFILES –****Part 5-6: Installation of fieldbuses –
Installation profiles for CPF 6**

FOREWORD

- 1) The International Electrotechnical Commission (IEC) is a worldwide organization for standardization comprising all national electrotechnical committees (IEC National Committees). The object of IEC is to promote international co-operation on all questions concerning standardization in the electrical and electronic fields. To this end and in addition to other activities, IEC publishes International Standards, Technical Specifications, Technical Reports, Publicly Available Specifications (PAS) and Guides (hereafter referred to as “IEC Publication(s)”). Their preparation is entrusted to technical committees; any IEC National Committee interested in the subject dealt with may participate in this preparatory work. International, governmental and non-governmental organizations liaising with the IEC also participate in this preparation. IEC collaborates closely with the International Organization for Standardization (ISO) in accordance with conditions determined by agreement between the two organizations.
- 2) The formal decisions or agreements of IEC on technical matters express, as nearly as possible, an international consensus of opinion on the relevant subjects since each technical committee has representation from all interested IEC National Committees.
- 3) IEC Publications have the form of recommendations for international use and are accepted by IEC National Committees in that sense. While all reasonable efforts are made to ensure that the technical content of IEC Publications is accurate, IEC cannot be held responsible for the way in which they are used or for any misinterpretation by any end user.
- 4) In order to promote international uniformity, IEC National Committees undertake to apply IEC Publications transparently to the maximum extent possible in their national and regional publications. Any divergence between any IEC Publication and the corresponding national or regional publication shall be clearly indicated in the latter.
- 5) IEC itself does not provide any attestation of conformity. Independent certification bodies provide conformity assessment services and, in some areas, access to IEC marks of conformity. IEC is not responsible for any services carried out by independent certification bodies.
- 6) All users should ensure that they have the latest edition of this publication.
- 7) No liability shall attach to IEC or its directors, employees, servants or agents including individual experts and members of its technical committees and IEC National Committees for any personal injury, property damage or other damage of any nature whatsoever, whether direct or indirect, or for costs (including legal fees) and expenses arising out of the publication, use of, or reliance upon, this IEC Publication or any other IEC Publications.
- 8) Attention is drawn to the Normative references cited in this publication. Use of the referenced publications is indispensable for the correct application of this publication.
- 9) Attention is drawn to the possibility that some of the elements of this IEC Publication may be the subject of patent rights. IEC shall not be held responsible for identifying any or all such patent rights.

International Standard IEC 61784-5-6 has been prepared by subcommittee 65C: Industrial networks, of IEC technical committee 65: Industrial-process measurement, control and automation.

This third edition cancels and replaces the second edition published in 2010. This edition constitutes a technical revision.

This edition includes the following technical changes with respect to the previous edition:

- Alignment with IEC 61918:2013.
- Addition of new connectors.

This standard is to be used in conjunction with IEC 61918:2013.

The text of this standard is based on the following documents:

FDIS	Report on voting
65C/738/FDIS	65C/743/RVD

Full information on the voting for the approval of this standard can be found in the report on voting indicated in the above table.

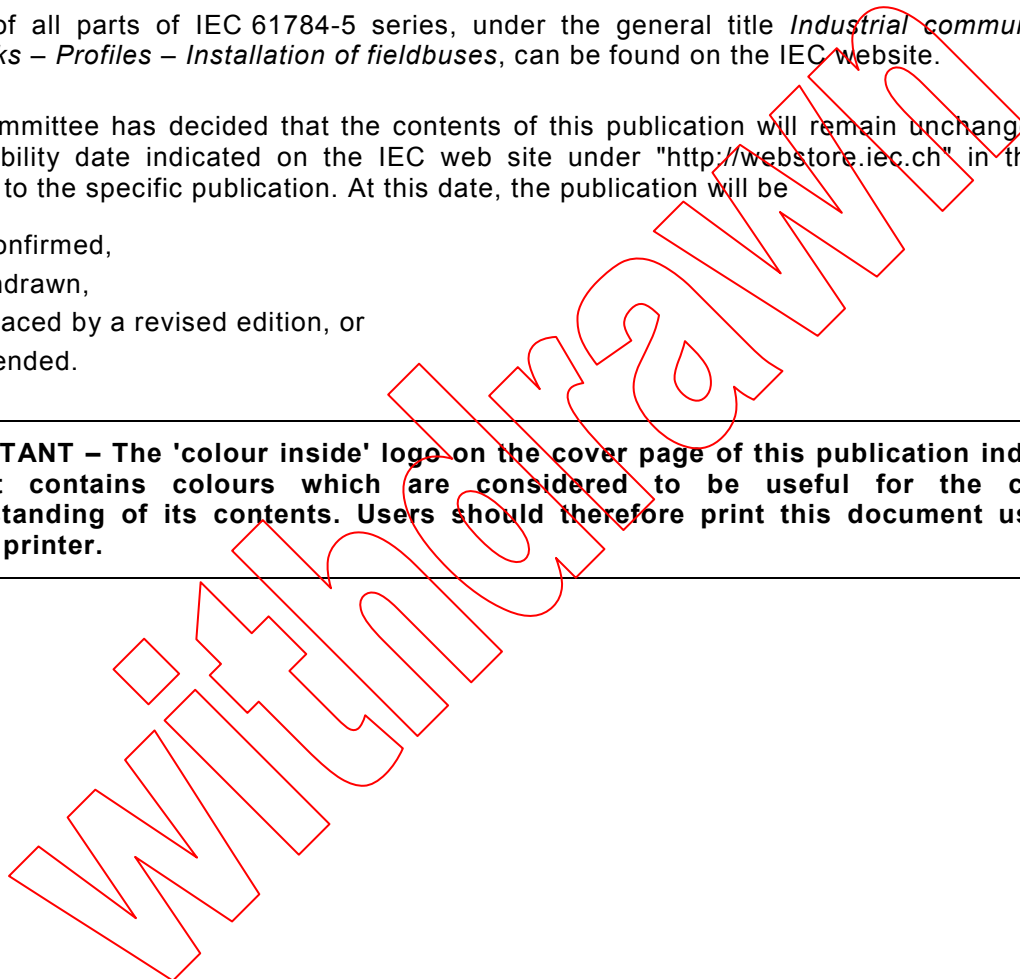
This publication has been drafted in accordance with the ISO/IEC Directives, Part 2.

A list of all parts of IEC 61784-5 series, under the general title *Industrial communication networks – Profiles – Installation of fieldbuses*, can be found on the IEC website.

The committee has decided that the contents of this publication will remain unchanged until the stability date indicated on the IEC web site under "<http://webstore.iec.ch>" in the data related to the specific publication. At this date, the publication will be

- reconfirmed,
- withdrawn,
- replaced by a revised edition, or
- amended.

IMPORTANT – The 'colour inside' logo on the cover page of this publication indicates that it contains colours which are considered to be useful for the correct understanding of its contents. Users should therefore print this document using a colour printer.



INTRODUCTION

This International Standard is one of a series produced to facilitate the use of communication networks in industrial control systems.

IEC 61918:2013 provides the common requirements for the installation of communication networks in industrial control systems. This installation profile standard provides the installation profiles of the communication profiles (CP) of a specific communication profile family (CPF) by stating which requirements of IEC 61918 fully apply and, where necessary, by supplementing, modifying, or replacing the other requirements (see Figure 1).

For general background on fieldbuses, their profiles, and relationship between the installation profiles specified in this standard, see IEC 61158-1.

Each CP installation profile is specified in a separate annex of this standard. Each annex is structured exactly as the reference standard IEC 61918 for the benefit of the persons representing the roles in the fieldbus installation process as defined in IEC 61918 (planner, installer, verification personnel, validation personnel, maintenance personnel, administration personnel). By reading the installation profile in conjunction with IEC 61918, these persons immediately know which requirements are common for the installation of all CPs and which are modified or replaced. The conventions used to draft this standard are defined in Clause 5.

The provision of the installation profiles in one standard for each CPF (for example IEC 61784-5-6 for CPF 6), allows readers to work with standards of a convenient size.

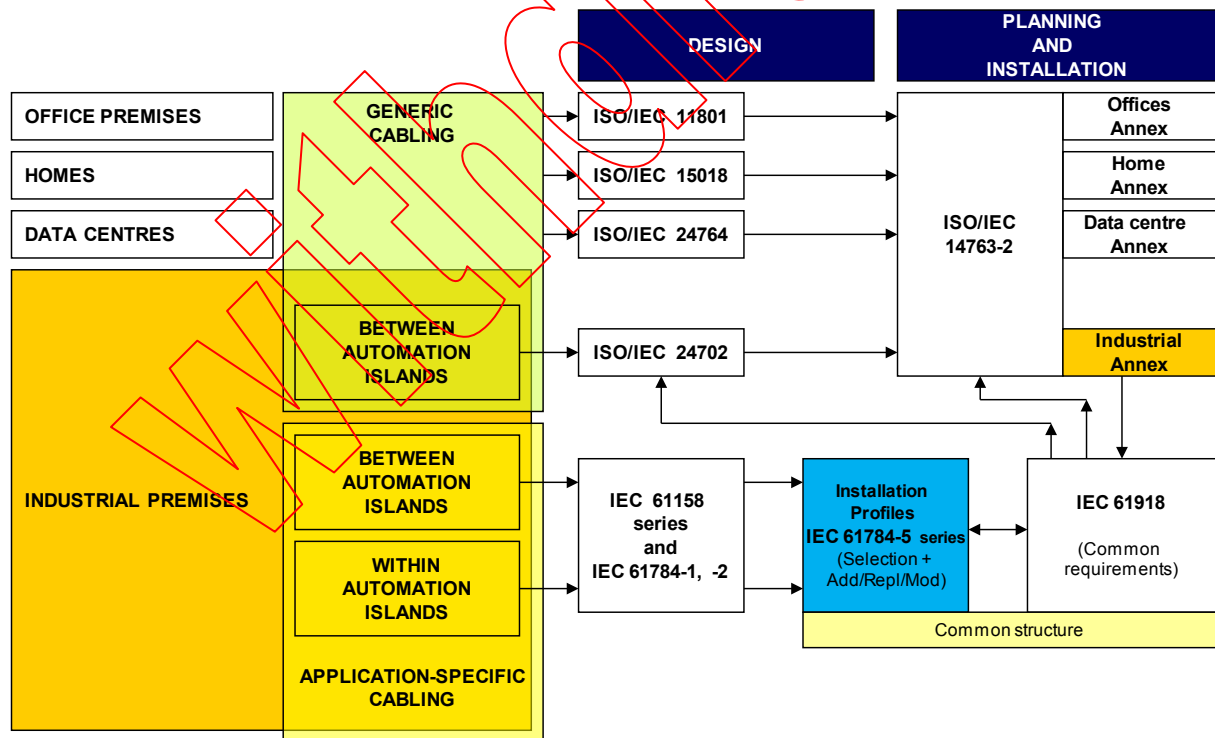


Figure 1 – Standards relationships