

INTERNATIONAL STANDARD

IEC 61754-7

1996

AMENDMENT 2
2000-07

Amendment 2

Fibre optic connector interfaces –

**Part 7:
Type MPO connector family**

Amendement 2

Interfaces de connecteurs pour fibres optiques –

*Partie 7:
Famille de connecteurs de type MPO*

© IEC 2000 — Copyright - all rights reserved

International Electrotechnical Commission
Telefax: +41 22 919 0300

3, rue de Varembeé Geneva, Switzerland
e-mail: inmail@iec.ch

IEC web site <http://www.iec.ch>



Commission Electrotechnique Internationale
International Electrotechnical Commission
Международная Электротехническая Комиссия

PRICE CODE

J

For price, see current catalogue

FOREWORD

This amendment has been prepared by subcommittee 86B: Fibre optic interconnecting devices and passive components, of IEC technical committee 86: Fibre optics.

The text of this amendment is based on the following documents:

FDIS	Report on voting
86B/1324/FDIS	86B/1372/RVD

Full information on the voting for the approval of this amendment can be found in the report on voting indicated in the above table.

A bilingual version of this amendment may be issued at a later date.

The committee has decided that the contents of the base publication and its amendments will remain unchanged until 2004. At this date, the publication will be

- reconfirmed;
- withdrawn;
- replaced by a revised edition, or
- amended.

Page 2

FOREWORD

Replace point 6 of the foreword by the following:

The International Electrotechnical Commission (IEC) draws attention to the fact that it is claimed that compliance with this International Standard may involve the use of a patent concerning MPO connectors.

The IEC takes no position concerning the evidence, validity and scope of this patent right.

The holder of this patent right has assured the IEC that he is willing to negotiate licences under reasonable and non-discriminatory terms and conditions with applicants throughout the world. In this respect, the statement of the holder of this patent right is registered with the IEC. Information may be obtained from:

Intellectual Property Department,
Nippon Telegraph and Telephone Corporation,
20-2 Nishi-shinjuku 3-Chome Shinjukuku,
Tokyo 163-14, Japan.

Attention is drawn to the possibility that some of the elements of this International Standard may be the subject of patent rights other than those identified above. IEC shall not be held responsible for identifying any or all such patent rights.

Page 4

2 Description

Add, after the second paragraph, the following new third paragraph:

Moreover, connector interfaces between the female plug and the male plug are configured by applying a backplane housing and a printed board housing instead of the adaptor.

3 Interfaces

Add the following interface after "interface 7-5: MPO male plug connector flat interface – Push/pull":

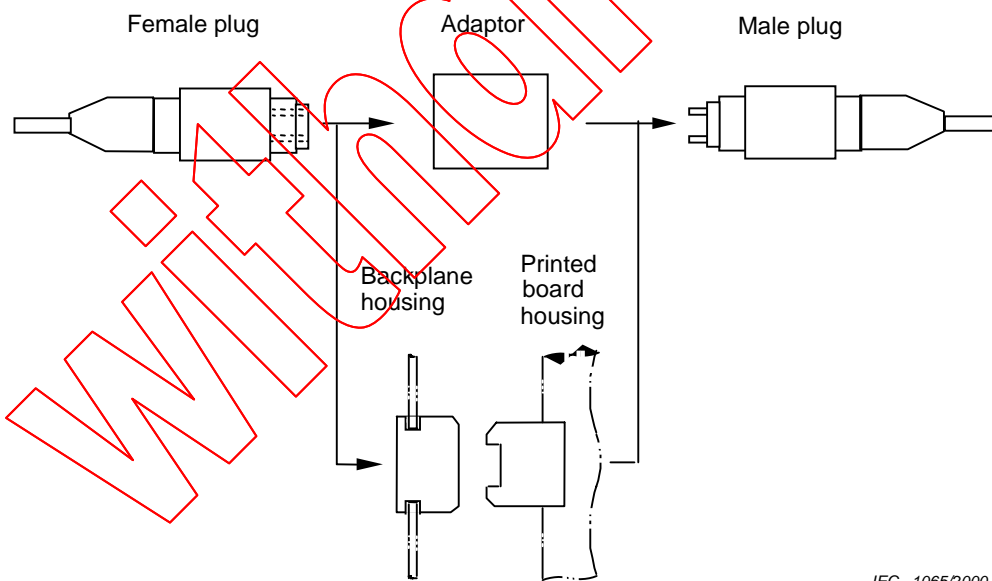
Interface 7-6: MPO backplane housing interface – Self-retaining

Interface 7-7: MPO printed board housing interface – Self-retaining

Replace the table by the following:

Female plugs	Adaptors/Housings	Male plugs
61754-7-1	61754-7-3	61754-7-2
61754-7-4	61754-7-3	61754-7-5
61754-7-1	61754-7-6 and 61754-7-7	61754-7-2
61754-7-4	61754-7-6 and 61754-7-7	61754-7-5

Replace, on page 5, figure 1 by the following new figure.



IEC 1065/2000

Figure 1 – MPO connector configurations

Add, on page 15, the following new figures and tables after table 5:

