



IEC 60092-302-2

Edition 2.0 2025-10

INTERNATIONAL STANDARD

**Electrical installations in ships -
Part 302-2: Low voltage switchgear and controlgear assemblies - Marine power**

IEC 60092-302-2 Ed.2.0 - Preview only Copy via ILNAS e-Shop



THIS PUBLICATION IS COPYRIGHT PROTECTED
Copyright © 2025 IEC, Geneva, Switzerland

All rights reserved. Unless otherwise specified, no part of this publication may be reproduced or utilized in any form or by any means, electronic or mechanical, including photocopying and microfilm, without permission in writing from either IEC or IEC's member National Committee in the country of the requester. If you have any questions about IEC copyright or have an enquiry about obtaining additional rights to this publication, please contact the address below or your local IEC member National Committee for further information.

IEC Secretariat
3, rue de Varembe
CH-1211 Geneva 20
Switzerland

Tel.: +41 22 919 02 11
info@iec.ch
www.iec.ch

About the IEC

The International Electrotechnical Commission (IEC) is the leading global organization that prepares and publishes International Standards for all electrical, electronic and related technologies.

About IEC publications

The technical content of IEC publications is kept under constant review by the IEC. Please make sure that you have the latest edition, a corrigendum or an amendment might have been published.

IEC publications search -

webstore.iec.ch/advsearchform

The advanced search enables to find IEC publications by a variety of criteria (reference number, text, technical committee, ...). It also gives information on projects, replaced and withdrawn publications.

IEC Just Published - webstore.iec.ch/justpublished

Stay up to date on all new IEC publications. Just Published details all new publications released. Available online and once a month by email.

IEC Customer Service Centre - webstore.iec.ch/csc

If you wish to give us your feedback on this publication or need further assistance, please contact the Customer Service Centre: sales@iec.ch.

IEC Products & Services Portal - products.iec.ch

Discover our powerful search engine and read freely all the publications previews, graphical symbols and the glossary. With a subscription you will always have access to up to date content tailored to your needs.

Electropedia - www.electropedia.org

The world's leading online dictionary on electrotechnology, containing more than 22 500 terminological entries in English and French, with equivalent terms in 25 additional languages. Also known as the International Electrotechnical Vocabulary (IEV) online.

CONTENTS

FOREWORD	2
INTRODUCTION	4
1 Scope	5
2 Normative references	5
3 Terms and definitions	6
4 Symbols and abbreviations	6
5 Interface characteristics	7
6 Information	7
7 Service conditions	8
8 Constructional requirements	8
9 Performance requirements	11
10 Design verification	11
11 Routine verification	12
Annexes	17
Annex J – Electromagnetic compatibility (EMC)	17
Annex AAA (informative) Items subject to agreement between the assembly manufacturer and the user	18
Bibliography	23
Figure 201 – Relationship of standards	4
Table 1 – Minimum clearances in air (8.3.2)	13
Table 2 – Minimum creepage distances for marine applications main and emergency switchboards (8.3.3)	13
Table 201 – Earth continuity of doors, lids or similar	14
Table 6 – Temperature-rise limits (9.2)	15
Table 13 – Short-circuit verification by comparison with reference design: check list (IEC 61439-1:2020, 10.5.3.3, 10.11.3 and 10.11.4)	16
Table 15 – Climatic conditions	16
Table AAA.1 – Items subject to agreement between the assembly manufacturer and the user	18

INTERNATIONAL ELECTROTECHNICAL COMMISSION

**Electrical installations in ships -
Part 302-2: Low voltage switchgear and controlgear assemblies -
Marine power**

FOREWORD

- 1) The International Electrotechnical Commission (IEC) is a worldwide organization for standardization comprising all national electrotechnical committees (IEC National Committees). The object of IEC is to promote international co-operation on all questions concerning standardization in the electrical and electronic fields. To this end and in addition to other activities, IEC publishes International Standards, Technical Specifications, Technical Reports, Publicly Available Specifications (PAS) and Guides (hereafter referred to as "IEC Publication(s)"). Their preparation is entrusted to technical committees; any IEC National Committee interested in the subject dealt with may participate in this preparatory work. International, governmental and non-governmental organizations liaising with the IEC also participate in this preparation. IEC collaborates closely with the International Organization for Standardization (ISO) in accordance with conditions determined by agreement between the two organizations.
- 2) The formal decisions or agreements of IEC on technical matters express, as nearly as possible, an international consensus of opinion on the relevant subjects since each technical committee has representation from all interested IEC National Committees.
- 3) IEC Publications have the form of recommendations for international use and are accepted by IEC National Committees in that sense. While all reasonable efforts are made to ensure that the technical content of IEC Publications is accurate, IEC cannot be held responsible for the way in which they are used or for any misinterpretation by any end user.
- 4) In order to promote international uniformity, IEC National Committees undertake to apply IEC Publications transparently to the maximum extent possible in their national and regional publications. Any divergence between any IEC Publication and the corresponding national or regional publication shall be clearly indicated in the latter.
- 5) IEC itself does not provide any attestation of conformity. Independent certification bodies provide conformity assessment services and, in some areas, access to IEC marks of conformity. IEC is not responsible for any services carried out by independent certification bodies.
- 6) All users should ensure that they have the latest edition of this publication.
- 7) No liability shall attach to IEC or its directors, employees, servants or agents including individual experts and members of its technical committees and IEC National Committees for any personal injury, property damage or other damage of any nature whatsoever, whether direct or indirect, or for costs (including legal fees) and expenses arising out of the publication, use of, or reliance upon, this IEC Publication or any other IEC Publications.
- 8) Attention is drawn to the Normative references cited in this publication. Use of the referenced publications is indispensable for the correct application of this publication.
- 9) IEC draws attention to the possibility that the implementation of this document may involve the use of (a) patent(s). IEC takes no position concerning the evidence, validity or applicability of any claimed patent rights in respect thereof. As of the date of publication of this document, IEC had not received notice of (a) patent(s), which may be required to implement this document. However, implementers are cautioned that this may not represent the latest information, which may be obtained from the patent database available at <https://patents.iec.ch>. IEC shall not be held responsible for identifying any or all such patent rights.

IEC 60092-302-2 has been prepared by IEC technical committee 18: Electrical installations of ships and of mobile and fixed offshore units. It is an International Standard.

This second edition cancels and replaces the first edition published in 2019. This edition constitutes a technical revision.

This edition includes the following significant technical changes with respect to the previous edition:

- a) amended and updated in line with, and correctly referenced to the updated clauses of IEC 61439-1:2020 and IEC 61439-2:2020;
- b) explanation of the need to special consideration for marine applications added;
- c) Figure 201 updated;
- d) adjustment has been made to the "safety factors" for creepage and clearance distances.

The text of this International Standard is based on the following documents:

Draft	Report on voting
18/1994/FDIS	18/2007/RVD

Full information on the voting for its approval can be found in the report on voting indicated in the above table.

The language used for the development of this International Standard is English.

This document was drafted in accordance with ISO/IEC Directives, Part 2, and developed in accordance with ISO/IEC Directives, Part 1 and ISO/IEC Directives, IEC Supplement, available at www.iec.ch/members_experts/refdocs. The main document types developed by IEC are described in greater detail at www.iec.ch/publications.

This International Standard is to be used in conjunction with IEC 61439-1:2020 and IEC 61439-2:2020.

This document supplements or modifies the corresponding clauses in IEC 61439-1:2020 and IEC 61439-2:2020. Where this document states "addition", "deletion", "replacement" or "amendment", the relevant text of IEC 61439-1:2020 and IEC 61439-2:2020 is adapted accordingly. When no modification of the text of IEC 61439-1:2020 is in IEC 61439-2:2020, the modification in this document is referred directly to the IEC 61439-1:2020.

Clauses and subclauses which are additional to those of IEC 61439-1:2020 and IEC 61439-2:2020 are numbered starting from 201. Additional annexes are numbered starting from AAA.

In this document, terms written in small capitals are defined in Clause 3.

Where the abbreviated term PSC-assembly is used in applicable clauses of IEC 61439-2:2020, this refers to MPSC-assembly.

A list of all parts in the IEC 60092 series, published under the general title *Electrical installations in ships*, can be found on the IEC website.

The committee has decided that the contents of this document will remain unchanged until the stability date indicated on the IEC website under webstore.iec.ch in the data related to the specific document. At this date, the document will be

- reconfirmed,
- withdrawn, or
- revised.

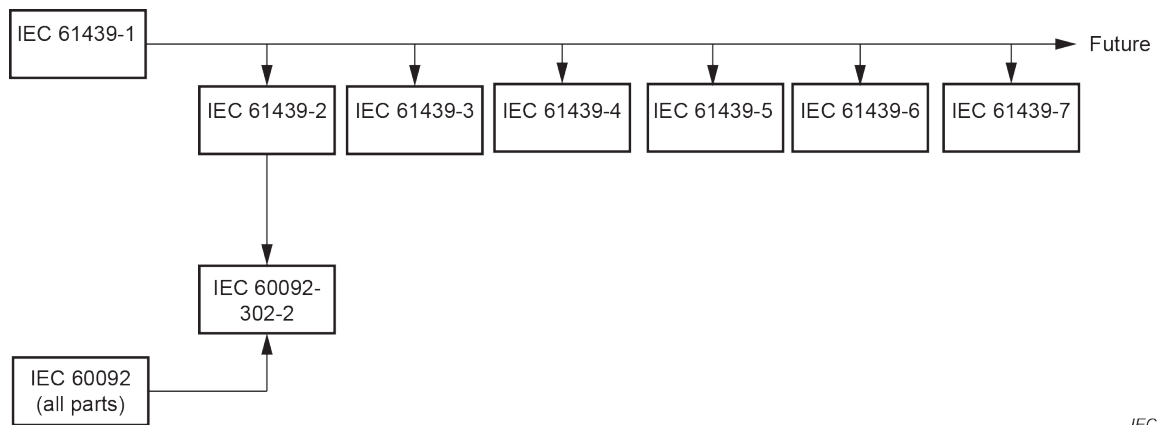
INTRODUCTION

This part of IEC 60092 forms a series of International Standards for electrical installations in sea-going ships, incorporating good practice and coordinating, as far as possible, existing rules.

These standards form a code of practical interpretation and amplification of the requirements of the International Convention for the Safety of Life at Sea, a guide for future regulations which can be prepared and a statement of practice for use by ship owners, shipbuilders and appropriate organizations.

The IEC 61439 series specifies the requirements for land based low voltage switchgear and controlgear assemblies. The IEC 60092-302 series has been developed in line with Figure 201, which illustrates opportunities to develop relevant marine standards.

The IEC 60092 series remains the principal series of standards for electrical installations in ships, and the applicable standards are applied accordingly. Wherever there are differences between the IEC 61439 series and the IEC 60092 series, the IEC 60092 series takes precedence.



IEC

Figure 201 – Relationship of standards